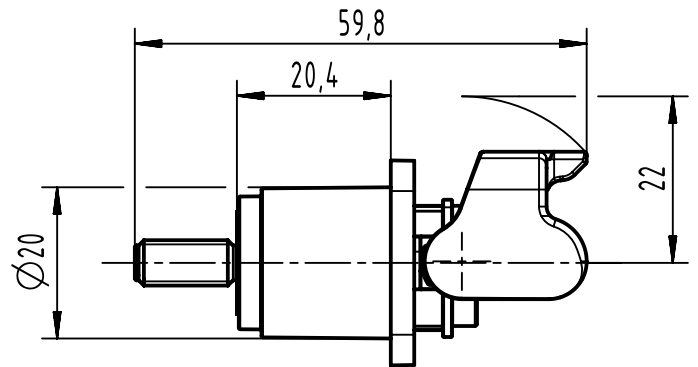
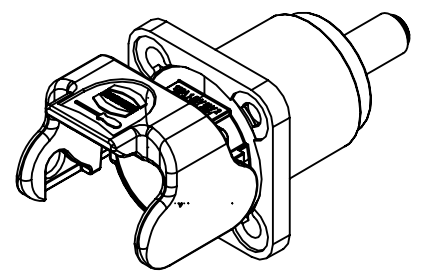
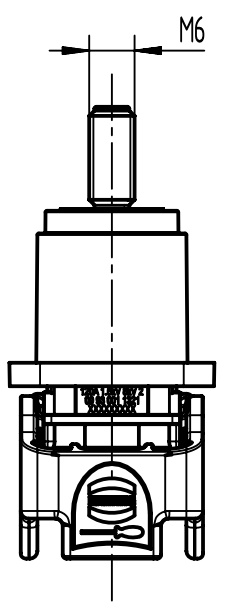
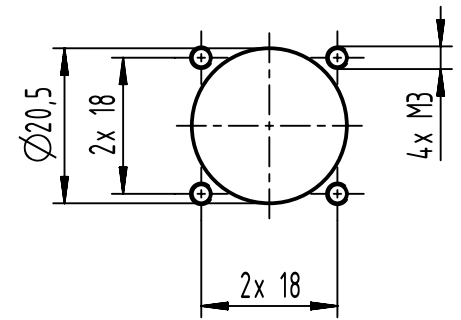


Screw M3 ISO 7380-2 not included



Pannel cut out



	All rights reserved Department EL PD	All Dimensions in mm Original Size DIN A4		Scale 1:1	Free size tol.	Ref. Sub.
		Created by SHENGJ	Inspected by WANGSTE	Standardisation ROEBEN	Date 2022-09-20	State Final Release
HARTING D-32339 Espelkamp		Title Han® S 120 HBM w. MC M6 black UP			Doc-Key / ECM-Nr. 100984383/UGD/000/B 500000225710	
		Type TB	Number 09 93 001 1321		Rev. B	Page 1/1